



PICOPAK3

Pinout & Connections

v3.0

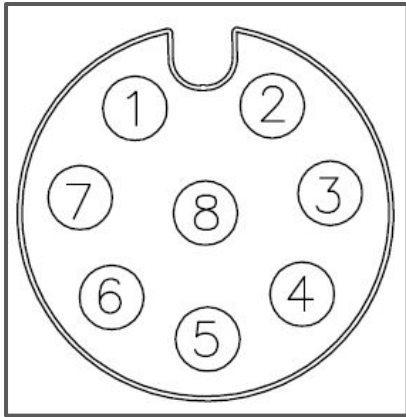
Change log

Version	Date	Changes	Author
2.1	2024/07/28	First version for the cable ref. S101092-REV2	A. GORRIZ
3.0	2024/04/16	Added page for “Power only” cable ref. S101097	T. GALLIMARD

Picopak3 pinout & connections

Cable reference: S101092-REV2

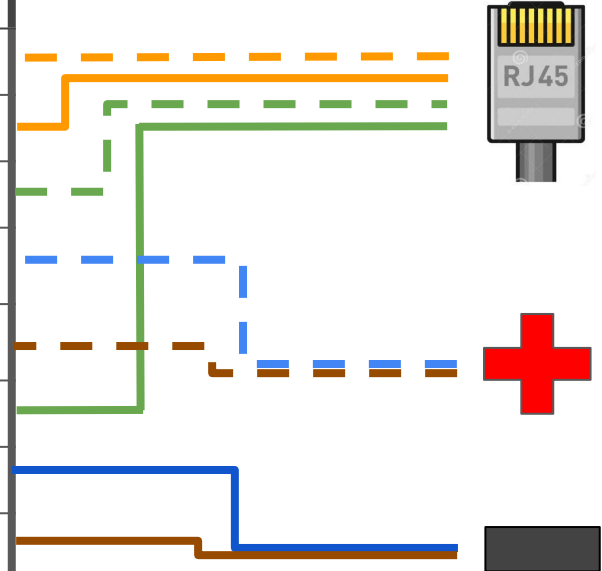
SURVISION
LICENSE PLATE RECOGNITION



Pinout for the Amphenol 8-pin connector that connects to the Picopak3

Pin	Color	Signal
1	White-Orange	TX+
2	Orange	TX-
3	White-Green	RX+
4	White-Blue	+VCC (11-24VDC)
5	White-Brown	+VCC (11-24VDC)
6	Green	RX-
7	Blue	-VCC
8	Brown	-VCC

Color code of the cables to be connected to power and, if needed, an Ethernet connector

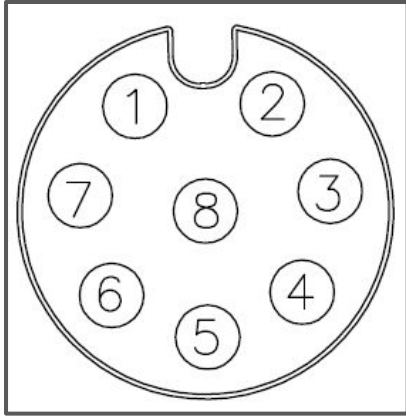


Note that there are 4 cables for power. White-Blue & White-Brown must be put together for +Vcc, while Blue and Brown are for -Vcc.

Picopak3 pinout & connections

Cable reference: S101097

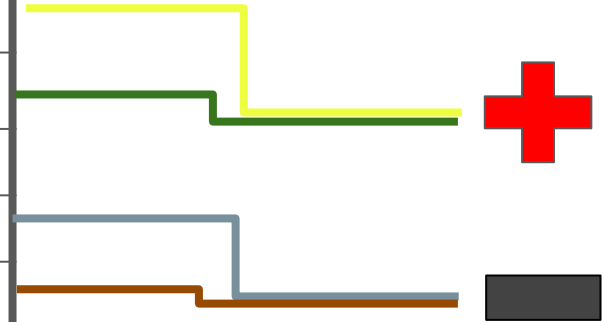
SURVISION
LICENSE PLATE RECOGNITION



Pinout for the Amphenol 8-pin connector that connects to the Picopak3

Pin	Color	Signal
1		
2		
3		
4	Yellow	+VCC (11-24VDC)
5	Green	+VCC (11-24VDC)
6		
7	Gray	-VCC
8	Brown	-VCC

Note that there are 4 cables for power. Yellow and Green must be put together for +Vcc, while Gray and Brown are for -Vcc.



Color code of the cables to be connected to power